

Direct Flush Valves with Sensors

Urinal Flushing Range

Product code: DFD



Direct Flush Discreet (DFD)

Product code: DFA



Direct Flush Accessible (DFA)

Direct Flush is an infrared sensor controlled, mains flushing urinal valve which automatically flushes the individual urinal after each use, ensuring the highest level of hygiene is achieved, using minimal water.

Unlike similar solutions, the DC pipe interrupter is integrated into the Direct Flush, ensuring it immediately meets water regulations. This cost-effective, innovative solution maximises urinal hygiene and is capable of delivering over 80% in water savings - when compared to traditional urinal installations*, which flush the bank of urinals intermittently even if they have not all been used.

Direct Flush offers an attractive 7 months product payback, when compared against an uncontrolled cistern[†], is easy to install and can be powered either by battery or mains, which is ideal for both retrofit and new installations.

Key features and benefits

- **Saves** - over 80% reduction of water usage*
- **Payback** - 7 months[†]
- **Hygienic flush** - for periods of non-use
- **Hygienic non-touch** - the non-touch solution is more hygienic and reduces the likelihood of cross contaminating pathogens
- **Integrated DC pipe interrupter** - ensures Fluid Category 5 compliance
- **Vandal resistant** - the valve is fully concealed
- **Mains or battery power** - options out of the box
- **Premium grade polished stainless steel** (DFD) to withstand commercial environments
- **No cistern required** - designed for urinals flushing directly from the mains cold water supply
- **Adjustable** - flush duration and detection range
- **Support** - environmental building schemes



3 YEAR
extended
warranty

Direct Flush Valves with Sensors

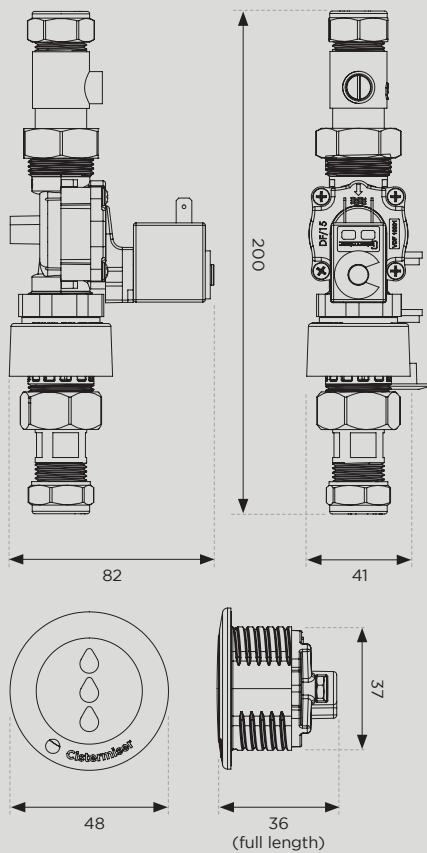
Urinal Flushing Range

Direct Flush Discreet (DFD)

The award winning sensor activated Direct Flush Discreet maximises urinal hygiene and is capable of delivering over 80% in water savings. Finished in high grade polished stainless steel, ensures it's robust for the commercial environment.

Technical information

- **Pipe fitting:** 15mm
- **Sensor range:** Circa 50cm
- **Power requirements:** 4 x alkaline AA (LR6) batteries or 6V DC regulated from mains adapter (1A fused spur required)
- **Battery life:** 2 years under typical usage conditions
- **Operating temperature range:** 0 to 40°C



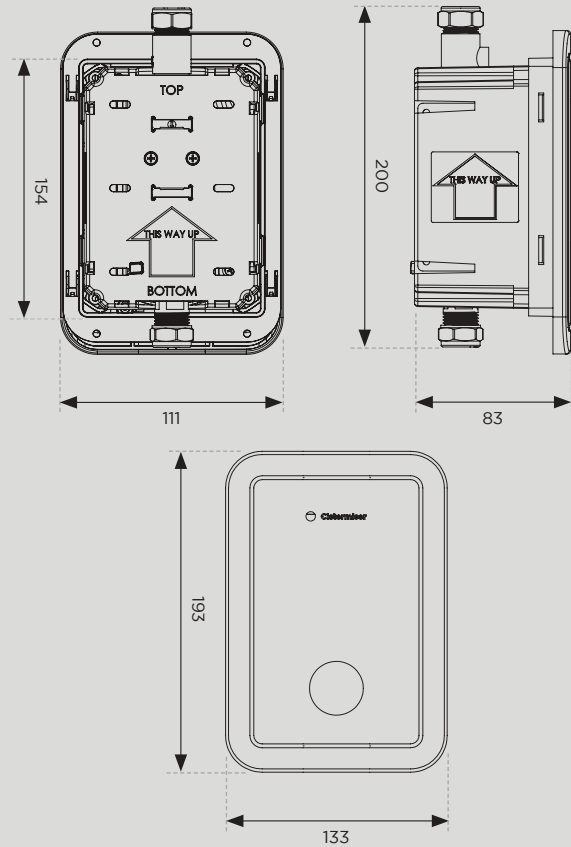
Measurements in millimetres (mm)

Direct Flush Accessible (DFA)

The sensor activated Direct Flush Accessible maximises urinal hygiene and is capable of delivering over 80% in water savings. Available in brushed chrome for the commercial environment.

Technical information

- **Pipe fitting:** 15mm
- **Sensor range:** Circa 50cm
- **Power requirements:** 4 x alkaline AA (LR6) batteries or 6V DC regulated from mains adapter (1A fused spur required)
- **Battery life:** 2 years under typical usage conditions
- **Operating temperature range:** 0 to 40°C



Measurements in millimetres (mm)

Installation

- **Operating pressure:** 0.5bar - 6bar.
- **Back siphonage protection:** Class 5, Type DC
- **Power:** Battery and Mains options included as standard out of the box.
- Also available as an optional extra is a Multi-Product Power Supply Unit (PSUC) which can provide power for up to 20 Direct Flush flushing valves, with only 1 fused spur required (additional costs apply).

Regulatory and Compliance

- REG4 and WRAS

Additional Parts / Optional Extras (additional costs apply)

- Multi Product Power Supply Unit (PSUC)
- Remote Control Programming Handset (ICU)

Cistermiser Limited

Unit 1 Woodley Park Estate, 59-69 Reading Road, Woodley, Reading, Berkshire RG5 3AN. Cistermiser is a subsidiary of Davidson Holdings Ltd. Cistermiser Ltd reserves the right to amend images and specification without prior notice. Cistermiser only prints on sustainable paper sources.

