

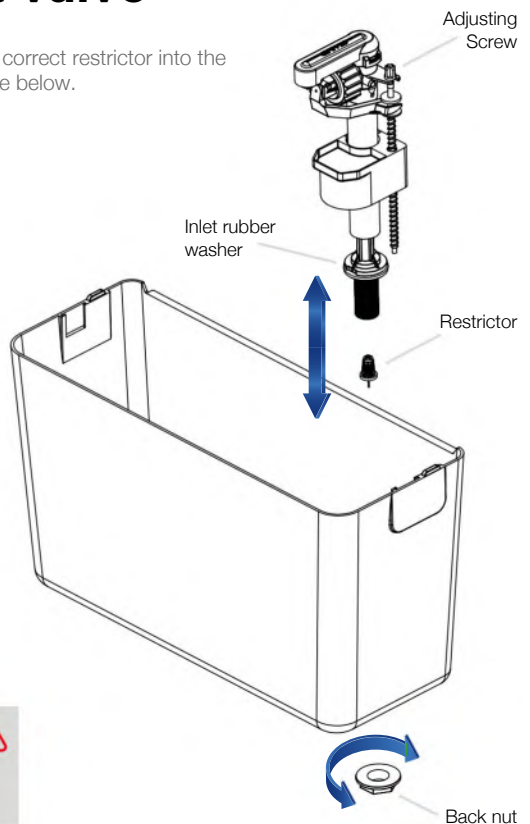


Cistermiser

1. Instructions on how to install the Easyflush^{EVO} inlet valve

Based on the incoming water pressure, insert the correct restrictor into the bottom of the inlet valve according to the guidance below.

- 1 Place inlet valve through inlet hole with rubber washer inside the cistern.
- 2 Ensure the restrictor part is correct for the incoming water pressure, see details in **Fig 1** to adjust the restrictor.
- 3 Tighten the back nut.
- 4 Connect the water supply.
- 5 Adjust water level with grey adjusting screw. See **Fig 2** for instructions on the water height.
- 6 Ensure connections are tight and secure.



WARNING:

Do not over tighten.
Do not use any sealing paste or compound.



2. Instructions on how to install the Easyflush^{EVO} inlet valve

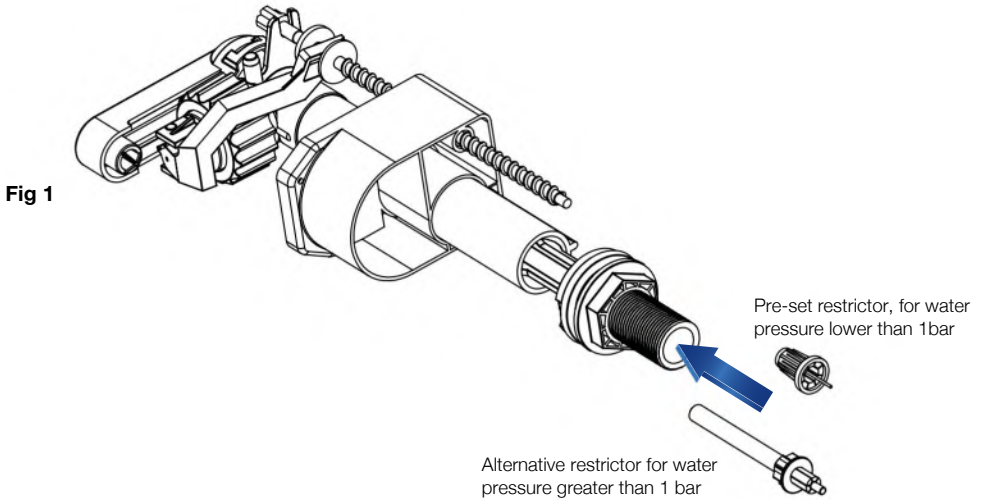
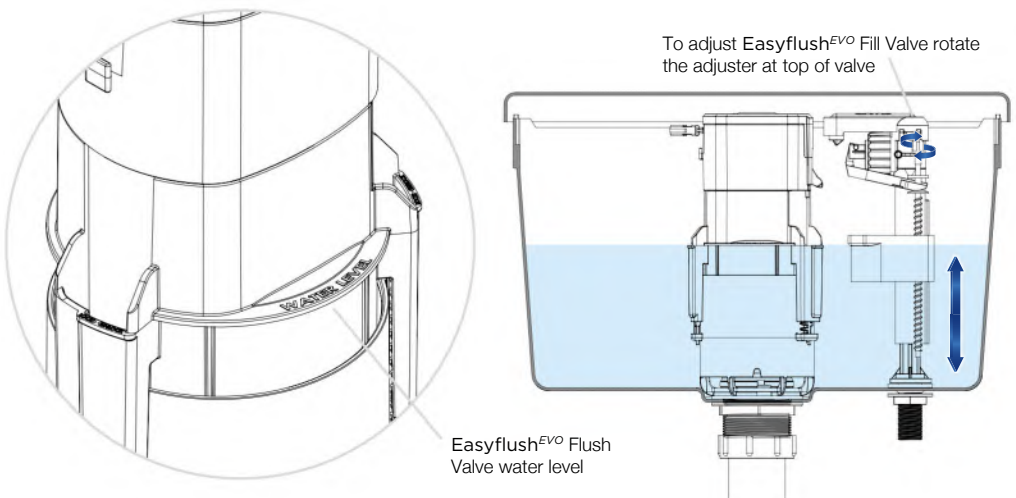


Fig 2

Ensure the fill valve is adjusted so the water shuts off at the indicated water level on the flush valve. This is your full flush volume.

The height of the Easyflush^{EVO} flush valve water level and the filling valve float level **must** be at the same height.

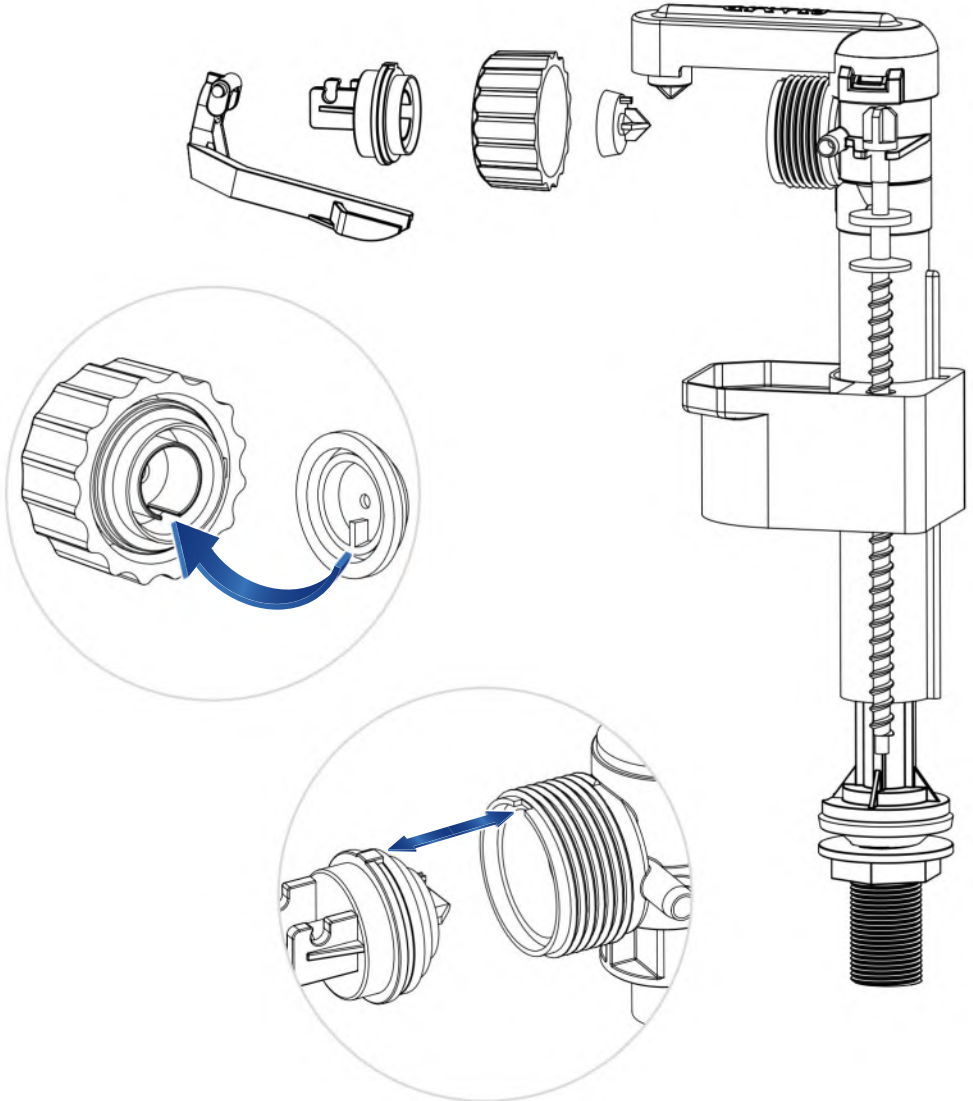


3. Maintenance

Fill valve (supplied with EVO CISTERN only): Periodically rinse the inlet filter and valve diaphragm. If the diaphragm is damaged contact Cistermiser for a replacement.

You may rinse the filter or the membrane to maintain your fill valve.

If the membrane is damaged, you need to replace it.



Davidson Holdings' brands

Salamander Pumps

Salamander is one of the UK's leading manufacturers of pumps for boosting water pressure for showers, bathrooms and whole house supply in domestic and small commercial tank-fed systems.

salamanderpumps.co.uk

Talon

Talon is the UK market leader in the manufacture and supply of plastic pipe clips, pipe collars and fixing plugs, plus a range of cover profiles for concealing pipework.

talon.co.uk



Keraflo manufacture delayed action float valves, which provide an accurate and effective method of controlling the level of stored cold water in tanks both with and without raised float valve chambers. The range is used in domestic, commercial and industrial applications worldwide.

keraflo.co.uk



Combimate is a domestic limescale prevention device that prevents limescale build-up and soft water corrosion in combination boilers and other domestic hot water appliances.

combimate.co.uk

Cistermiser Limited

Unit 1, Woodley Park Estate, 59-69 Reading Road,
Woodley, Reading, Berkshire RG5 3AN

t: +44 (0) 118 969 1611

e: sales@cistermiser.co.uk

cistermiser.co.uk

A Davidson Holdings company

