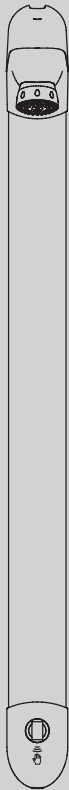




Cistermiser
OUR WORLD IS WATER

Vecta+ Shower Panels Installation Guide



SSPV

Sensor Shower Panel



MSPV

Mechanical Shower Panel

1. Introduction

Cistermiser's Vecta+ Shower Panel range are light weight, surface mounted, and pre-plumbed ready to be installed.

The range offers a hygienic non-touch sensor configuration with the Vecta+ Sensor Shower Panel, and a traditional mechanical push-button configuration with the Vecta+ Mechanical Shower Panel.

The Vecta+ Shower Panels are supplied configured with an 8 litres per minute flow regulator installed and also include a 6 litres per minute flow regulator in the box.

Supplied parts

Vecta+ Sensor Shower Panel

- 1 Sensor shower panel
- 2 Grey flow regulator (6 litre per minute)
- 3 Mounting screw x 4
- 4 Wall fixing x 4
- 5 Battery box
- 6 Power transformer
- 7 Isolation valve and inlet filter
- 8 Power extension cable

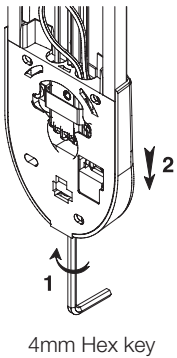
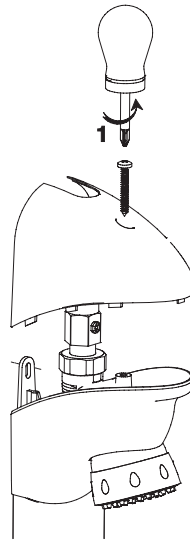
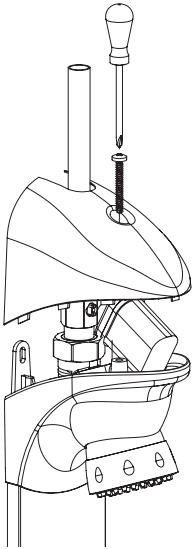
Vecta+ Mechanical Shower Panel

- 1 Mechanical shower panel
- 2 Grey flow regulator (6 litre per minute)
- 3 Mounting screw x 4
- 4 Wall fixing x 4

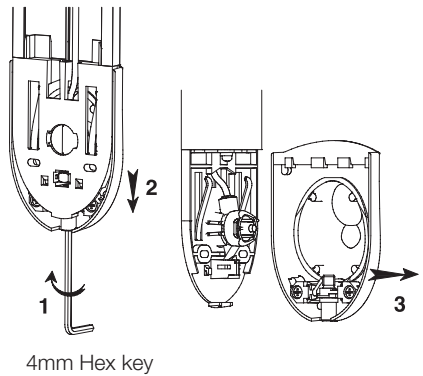
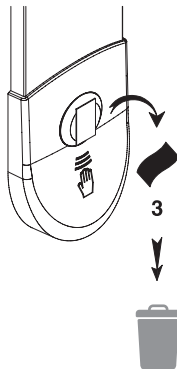
2. Installation - fixing to wall

Vecta+ Sensor Shower Panel

Vecta+ Mechanical Shower Panel



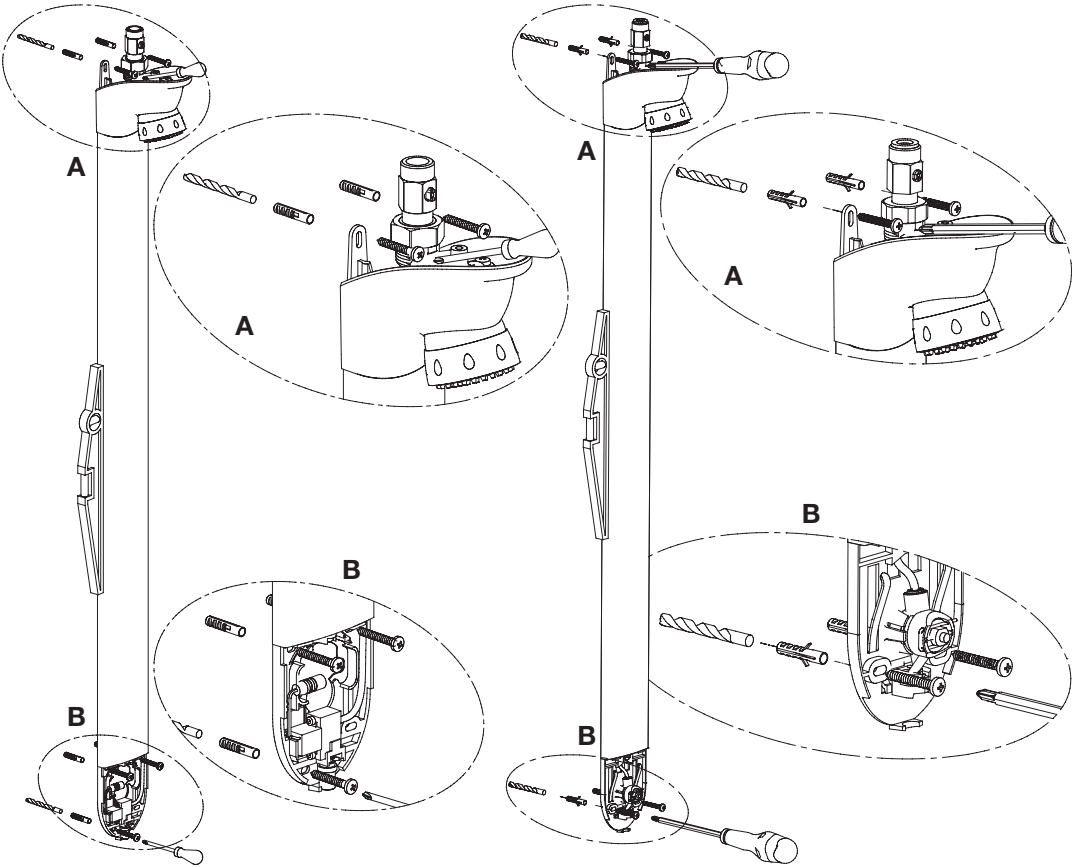
4mm Hex key



4mm Hex key

Vecta+ Sensor Shower Panel

Vecta+ Mechanical Shower Panel

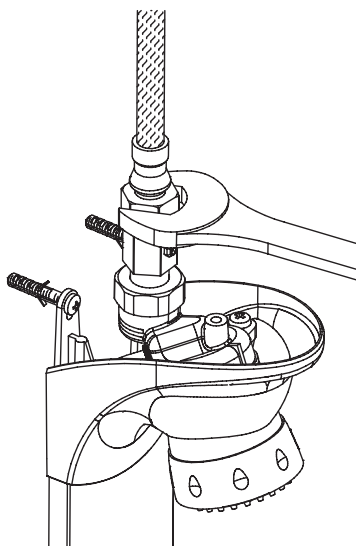
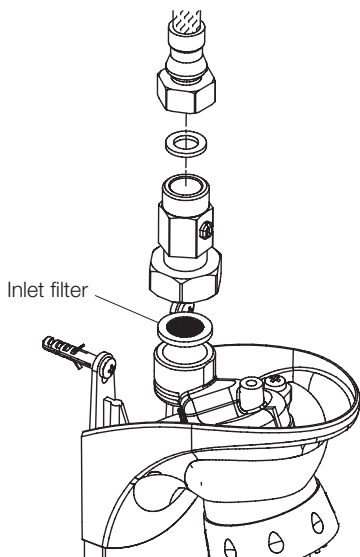


NOTES:

- Use an 6mm drill bit when fastening to the wall, ensure fixings are secure
- Do not install opposite a mirror
- Ensure the installation complies to local regulations and is carried out by a competent professional

3. Water connection

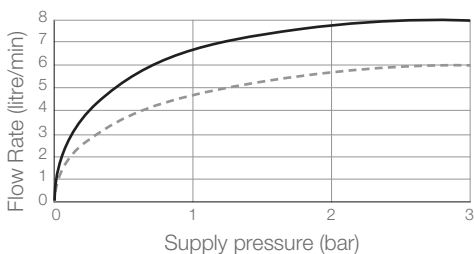
Vecta+ Sensor Shower Panel and Vecta+ Mechanical Shower Panel



NOTES:

- M G1/2" water connection fitting to isolation valve
- Flush pipework prior to installation
- Install an accessible isolating valve and TMV upstream of the shower panel
- Ensure filters are fitted and clean - the shower's performance will be reduced without the filter
- Valve may fail to operate at under 1 bar dynamic pressure

Flow rate chart



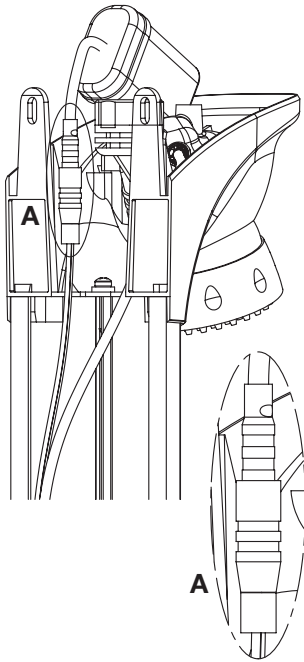
- 8 litres per minute (white)
- - - 6 litres per minute (grey)

4. Power connections

Vecta+ Sensor Shower Panel only

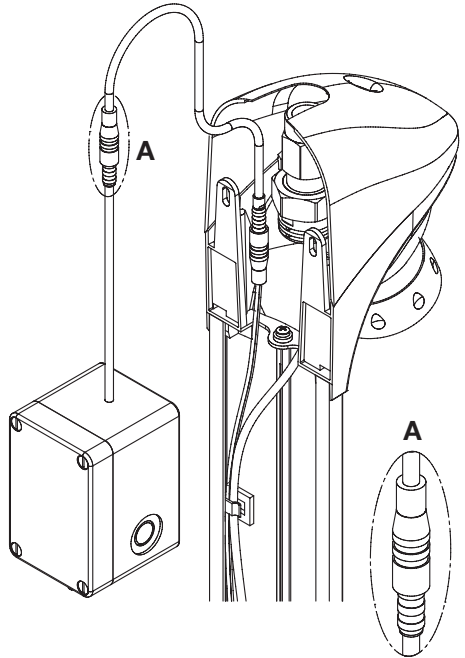
Battery powered

If using the battery case, remove the battery lid and fit either 1 CRP2 6V battery or 1 223 6V battery, and replace the battery lid. Secure the battery case in a dry location and connect to the shower. Reference "A" below.



Mains powered

If using mains power, connect the power transformer to the shower connector. Secure the power transformer in a dry location and connect to a 230V AC supply via a fused spur. Reference "A" below. Use power extension cable as required.



NOTE:

- Ensure electrical connections are tight and secure between the shower unit electrical connector and the supplied battery connector or power transformer

CAUTION:

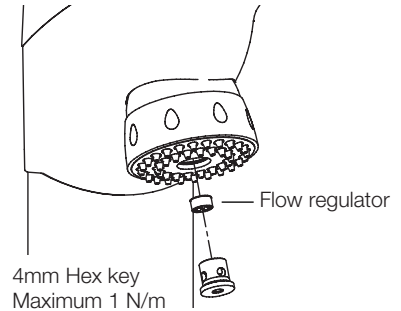
- Risk of electric shock. Isolate supply before working on wiring
- Ensure the installation complies to local regulations and is carried out by a competent professional

5. Changing the flow rate

How to change the flow regulator

Use a 4mm Hex key to unscrew and remove the flow regulator housing. Remove the white flow regulator (8 litres per minute) from the housing and replace it with the grey flow regulator (6 litres per minute).

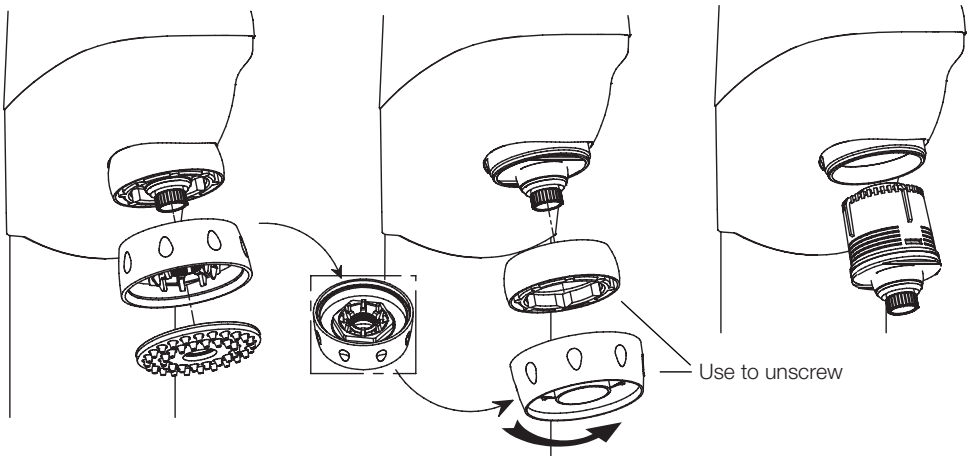
The Vecta+ Shower Panel comes with an 8 litres per minute (white) flow regulator installed and also includes an additional 6 litres per minute (grey) flow regulator in the box.



6. General maintenance

PREVENTIVE MAINTENANCE:

- For preventive maintenance, we recommend dismantling and descaling all plastic parts of the shower head once per year
- Close the shut-off valve before any maintenance
- Contact Cistermiser for advice on spare parts



7. Usage advice & specification

Vecta+ Sensor Shower Panel

Minimum operating pressure:	1 bar (dynamic)
Maximum operating pressure:	5 bar

Factory settings

Sensor range:	~18cm
Run-on time:	30 seconds
Battery life:	3 years in normal conditions with recommended batteries. A single red flashing of the LED indicates that the batteries are low and need to be replaced.
Cleaning:	Clean with non-abrasive cloth and water only.
Lens care:	Infrared lens can be polished with a soft cloth.

Electronic specification

Power transformer:	Input voltages: 230V AC 50/60Hz Output voltages: 7V DC 0.15A MAX
Ambient temperature range:	Operating: 0 to 40°C
Storage:	-25 to 40°C

Features

Non touch:	The water is activated when hands are presented in front of the infrared sensor.
Safety shutoff:	After 30 seconds of continuous water activation via sensor detection, the shower will automatically stop to reduce the risk of flooding.
Self cleaning:	Patented shower head needles reduce scale damage on the shower head.

Vecta+ Mechanical Shower Panel

Minimum operating pressure:	1 bar (dynamic)
Maximum operating pressure:	5 bar

Factory settings

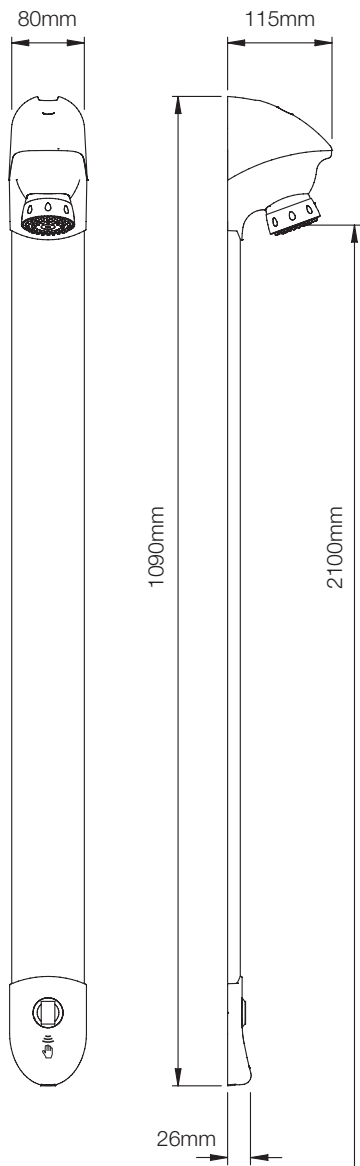
Run-on time:	30 seconds (-10/+5)
Cleaning:	Clean with non-abrasive cloth and water only.

Features

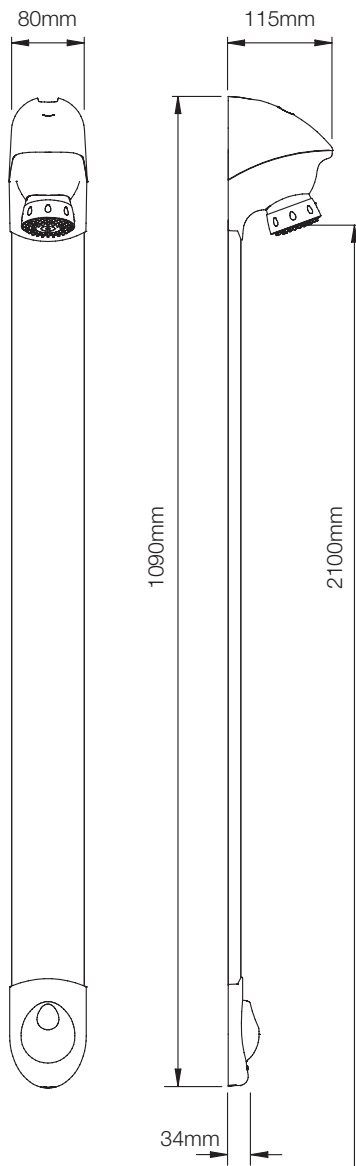
Push button:	The water is activated when the user pushes and releases the push button.
Safety shutoff:	After 30 seconds (-10/+5) of continuous water flow via push button activation, the shower will automatically stop to reduce the risk of flooding.
Self cleaning:	Patented shower head needles reduce scale damage on the shower head.

8. Component dimensions

Vecta+ Sensor
Shower Panel



Vecta+ Mechanical
Shower Panel



9. Frequently asked questions

Normal operation

Vecta+ Sensor Shower Panel

During normal operation, when the user brings their hand within 18cm of the sensor it will flash red once and water will flow from the shower head for 30 seconds. After 10 seconds, the user can stop the flow of water by bringing their hand back within 18cm of the sensor.

Vecta+ Mechanical Shower Panel

During normal operation, when the user pushes and releases the push button, water will flow from the shower head for 30 seconds (-10/ +5).

Fault	Observation	Action
No water from shower	Vecta+ Sensor Shower Panel: The sensor is flashing red continuously	Low battery. Change batteries.
	Vecta+ Sensor Shower Panel: The sensor is not flashing at all when hands are in sensing range	Battery power: Flat battery. Change batteries. Mains power: Poor DC contact. Check power transformer connection. No power. Check power supply / fuse.
	Vecta+ Sensor Shower Panel: The sensor is covered	Anti-vandal mode has been triggered. The object/debris needs to be removed and the shower will resume normal functionality.
	Vecta+ Sensor Shower Panel: The sensor flashes red once when hands are in sensing range Vecta+ Mechanical Shower Panel: Mechanical push button pressed and released	Water supply: Ensure water supply has been turned on and there is good working pressure. Minimum dynamic pressure 1 bar. Filter blockage: Check filter in inlet to solenoid valve.
Continuous flow of water or dripping from the shower	Water is flowing when no user is present	Water supply: Ensure water pressure is between 1 bar and 5 bar. Filters: Ensure filters are clear, clean if required. Debris in solenoid valve: Contact Cistermiser.

Fault	Observation	Action
Water flow diminishes	Water flow diminishes following push button or sensor activation	Filter is blocked with scale or debris. Check the filter in the inlet valve. Flow regulator is blocked with scale or debris. Remove flow regulator from the shower, clean and reinstall.
Inconsistent flow rate	Inconsistent flow rate following push button or sensor activation	TMV / water pressure issue: Ensure water supply to TMV is balanced and pressure is suitable for TMV specification.
Water is always cold	Water temperature from shower head is cold following push button or sensor activation	TMV / water pressure issue: Ensure water supply to TMV is balanced and pressure is suitable for TMV specification. Ensure hot water pipes are insulated to minimise cold dead legs.

Cistermiser product warranty and extended warranty

Cistermiser products are guaranteed for 12 months from the date of manufacture. The guarantee is for faulty products and parts only: there is no labour warranty. If you believe your product is faulty, please either contact Cistermiser directly on **0118 969 1611** or at **support@cistermiser.co.uk**, with a photograph and the serial number, to help diagnose the cause of the problem.

The warranty on Cistermiser products can be extended within one year of date of manufacture, at no cost, to three years from the date of installation. Please make a note of the batch number and take a photograph of the installation before you leave site.

Commissioning check-list

3 YEAR
extended
warranty

The warranty on Cistermiser products can be extended within one year of date of manufacture, at no cost, to three years from the date of installation. Once the valve has been installed, complete the product commissioning checklist below to demonstrate compliance with the installation instructions. Email a photograph of this completed form to warranty@cistermiser.co.uk or post to **Cistermiser, Unit 1, Woodley Park Estate, 59-69 Reading Road, Woodley, Berks, RG5 3AN.**

Product batch number

Installation address

Installer's name

Telephone number

Email address

No.	Activity	Checked	Date
1.	Flush pipework prior to installation.	<input type="checkbox"/>	<input type="checkbox"/>
2.	Ensure filters are fitted to the supplied pipe work.	<input type="checkbox"/>	<input type="checkbox"/>
3.	Ensure a suitable Thermostatic Mixing Valve is fitted upstream of the shower.	<input type="checkbox"/>	<input type="checkbox"/>
4.	Ensure water supply working/dynamic pressure is between 1 - 5 bar.	<input type="checkbox"/>	<input type="checkbox"/>
5.	Check product flow-rate suitability to application.	<input type="checkbox"/>	<input type="checkbox"/>
6.	Check all connections for leaks; ensure isolation valve is installed.	<input type="checkbox"/>	<input type="checkbox"/>
7.	Vecta+ Sensor Shower Panel: check electrical connections. Ensure either mains or battery power is connected.	<input type="checkbox"/>	<input type="checkbox"/>

Notes

.....

.....

.....

.....

.....

.....

.....

.....

.....

.....

.....

.....

.....

.....

.....

.....

.....

.....

.....

.....

.....

.....

.....

Davidson Holdings' brands

Salamander Pumps

Salamander is one of the UK's leading manufacturers of pumps for boosting water pressure for showers, bathrooms and whole house supply in domestic and small commercial tank-fed systems.

salamanderpumps.co.uk

Talon

Talon is the UK market leader in the manufacture and supply of plastic pipe clips, pipe collars and fixing plugs, plus a range of cover profiles for concealing pipework.

talon.co.uk



Keraflo

OUR WORLD IS WATER

Keraflo manufacture delayed action float valves, which provide an accurate and effective method of controlling the level of stored cold water in tanks both with and without raised float valve chambers. The range is used in domestic, commercial and industrial applications worldwide.

keraflo.co.uk



Combimate

GUARANTEED LIMESCALE PREVENTION

Combimate is a domestic limescale prevention device that prevents limescale build-up and soft water corrosion in combination boilers and other domestic hot water appliances.

combimate.co.uk

Cistermiser Limited

Unit 1, Woodley Park Estate, 59-69 Reading Road,
Woodley, Reading, Berkshire RG5 3AN

t: +44 (0) 118 969 1611

e: sales@cistermiser.co.uk

cistermiser.co.uk

A Davidson Holdings company

